

Computer File Information

Creation Date: 07/04/12	Initials: DLM
Last Modification Date: 04/30/15	Initials: LTA
Full Path: www.coloradodot.info/business/designsupport	
Drawing File Name: 607040105.dgn	
CAD Ver.: MicroStation V8	Scale: Not to Scale Units: English

Sheet Revisions

Date:	Comments
04/30/15	Created new M Standard: M-607-4 - Deer Fence, Gates, and Game Ramps

Colorado Department of Transportation

4201 East Arkansas Avenue
CDOT HQ, 4th Floor
Denver, CO 80222
Phone: 303-757-9021 FAX: 303-757-9868

Division of Project Support **DLM/LTA**

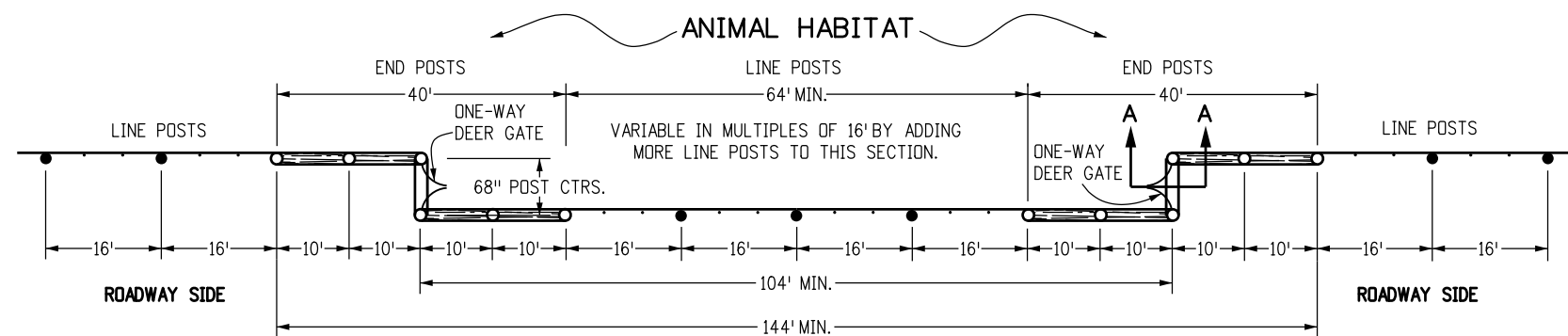
DEER FENCE, GATES, AND GAME RAMPS

Issued By: Project Development Branch March 4, 2015

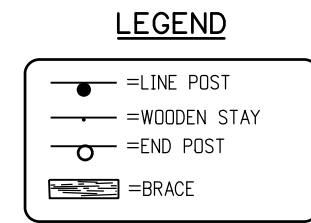
STANDARD PLAN NO.

M-607-4

Sheet No. 1 of 5

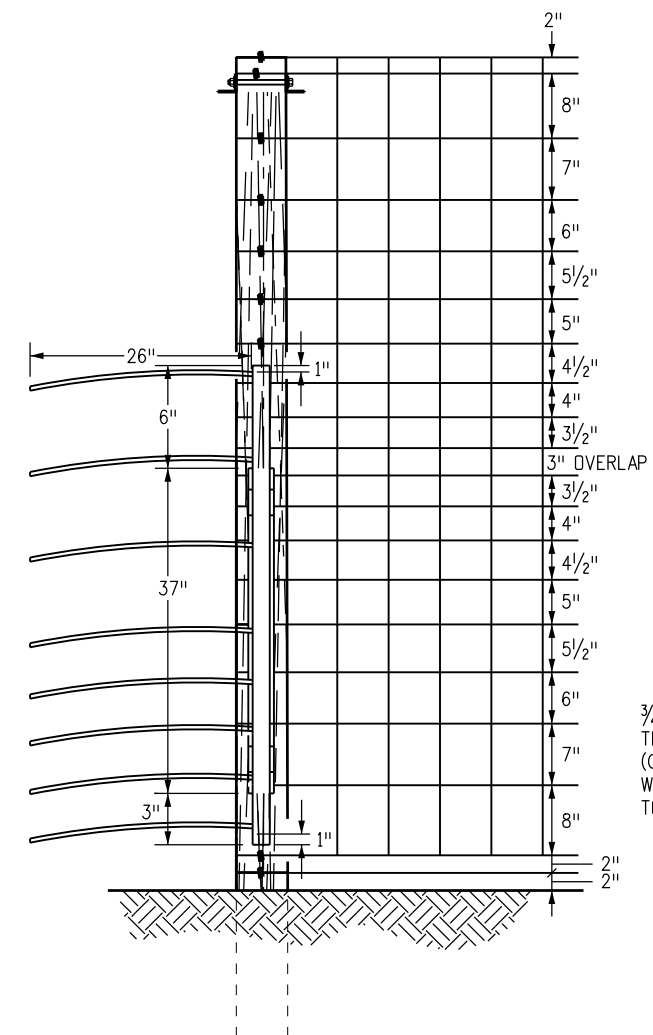


PLAN VIEW - TYPICAL DEER GATE INSTALLATION

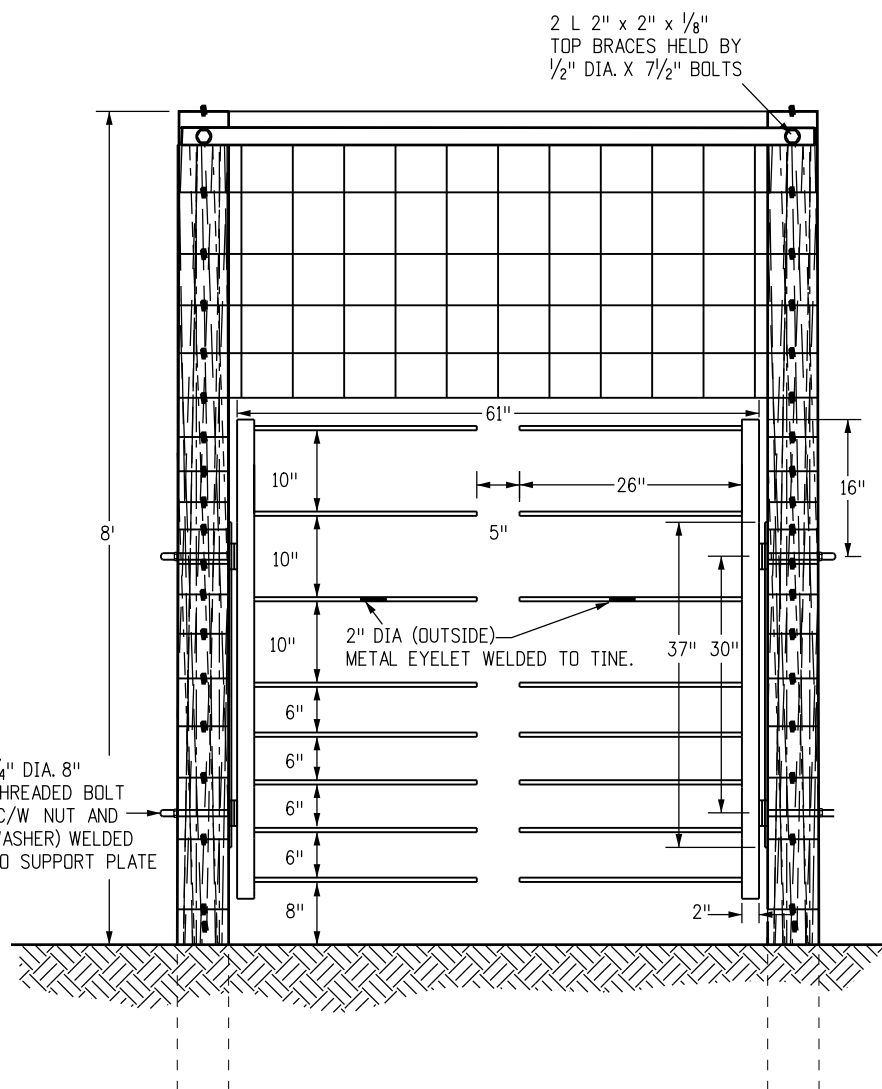


LEGEND

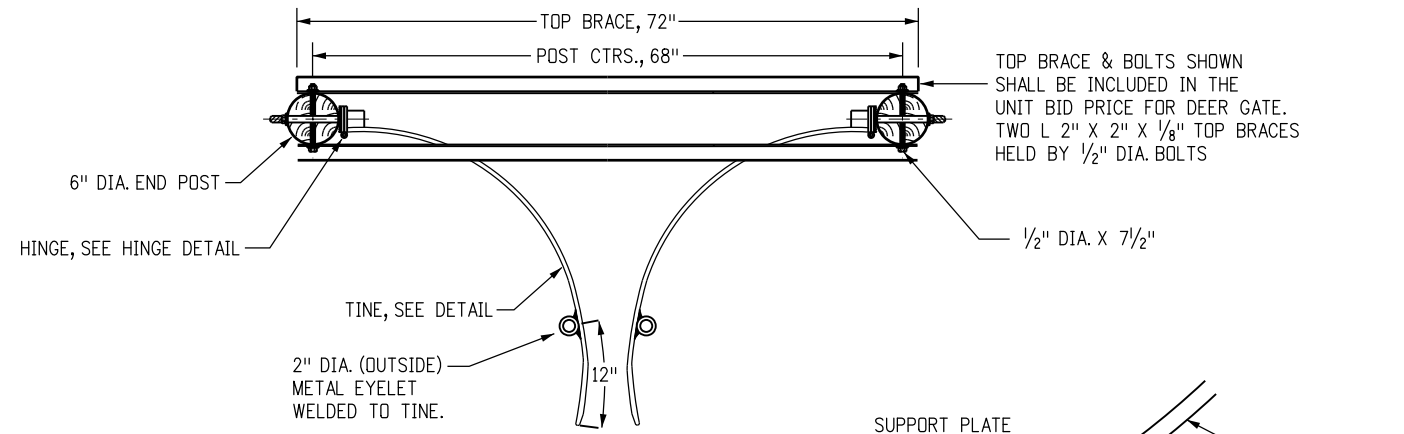
- NOTES**
- SIX IN. DOUBLE ACTING SPRING DOOR HINGE WITH FLAT BUTTON TIPS CUT IN TWO SHALL BE USED AS A SINGLE SWING HINGE AND BE PROVIDED WITH A GREASING NIPPLE AND WELDED TO SUPPORT PLATE.
 - TINES SHALL BE MOLDED IN ONE PIECE OF STEEL (AASHTO M 169, GRADE 1050), WITH NO WELDS ALLOWED.



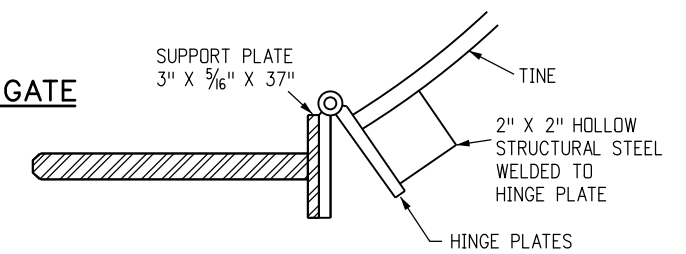
SECTION A-A



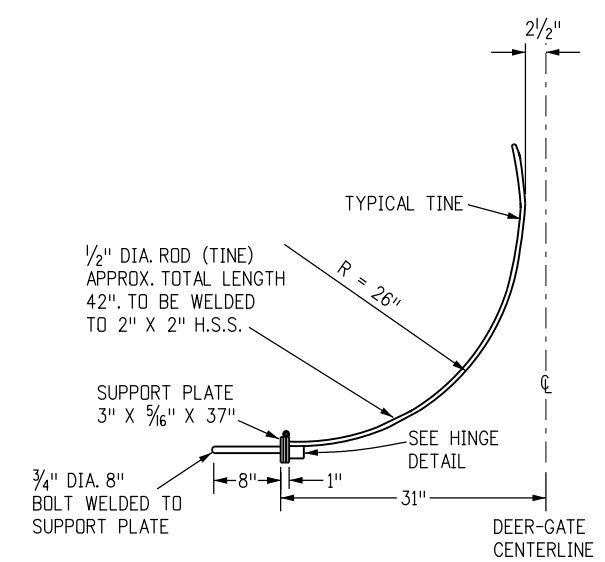
FRONT VIEW - DEER GATE



TOP VIEW - DEER GATE



TYPICAL HINGE DETAIL



TYPICAL TINE DETAIL

Computer File Information	
Creation Date: 07/04/12	Initials: DLM
Last Modification Date: 04/30/15	Initials: LTA
Full Path: www.coloradodot.info/business/designsupport	
Drawing File Name: 607040205.dgn	
CAD Ver.: MicroStation V8 Scale: Not to Scale Units: English	

Sheet Revisions	
Date:	Comments
04/30/15	Created new M Standard: M-607-4 - Deer Fence, Gates, and Game Ramps
(R-X)	
(R-X)	
(R-X)	
(R-X)	

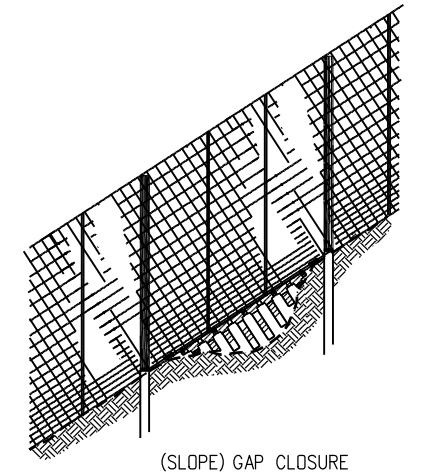
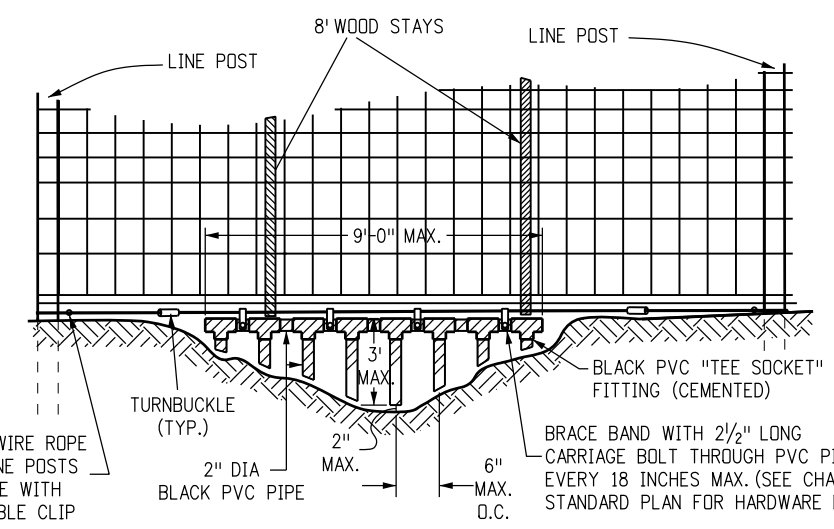
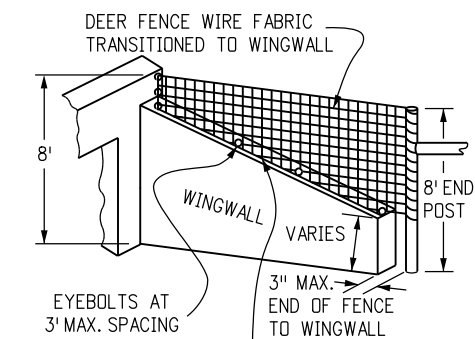
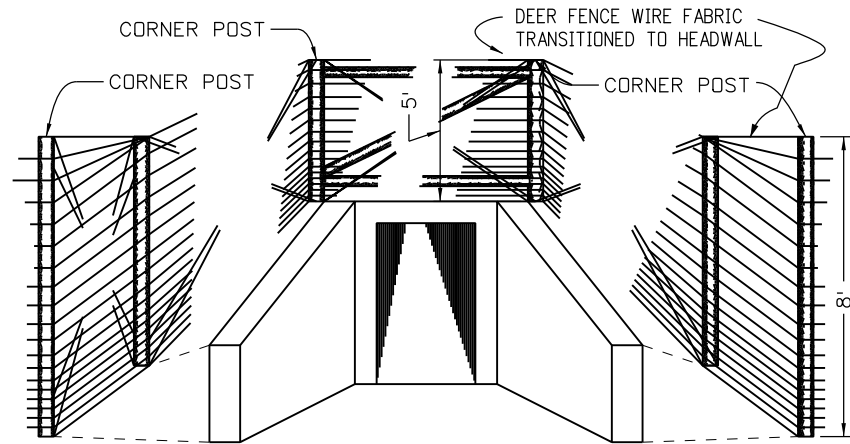
Colorado Department of Transportation
 4201 East Arkansas Avenue
 CDOT HQ, 4th Floor
 Denver, CO 80222
 Phone: 303-757-9021 FAX: 303-757-9868
 Division of Project Support DLM/LTA

DEER FENCE, GATES, AND GAME RAMPS
 Issued By: Project Development Branch March 4, 2015

STANDARD PLAN NO.
M-607-4
 Sheet No. 2 of 5

NOTES

1. LOCATIONS OF DEER FENCE IN THE CLEAR ZONE SHALL BE SHOWN IN THE PLANS.
2. POSTS WITHIN THE CLEAR ZONE SHALL BE DRILLED.
3. DRILL HOLES PERPENDICULAR TO THE ROADWAY.
4. KNEE BRACE SHALL BE OMITTED FROM ANY END POST OR CORNER POST WITHIN THE CLEAR ZONE.



FENCE DEER (SPECIAL) OVER CONCRETE BOX CULVERT

FIVE FOOT POSTS AND WIRE FABRIC SHALL BE INSTALLED WHERE THE FENCE PASSES OVER A CBC AT LOCATIONS SHOWN IN THE PLANS. THIS WORK WILL BE PAID FOR AS FENCE DEER (SPECIAL).

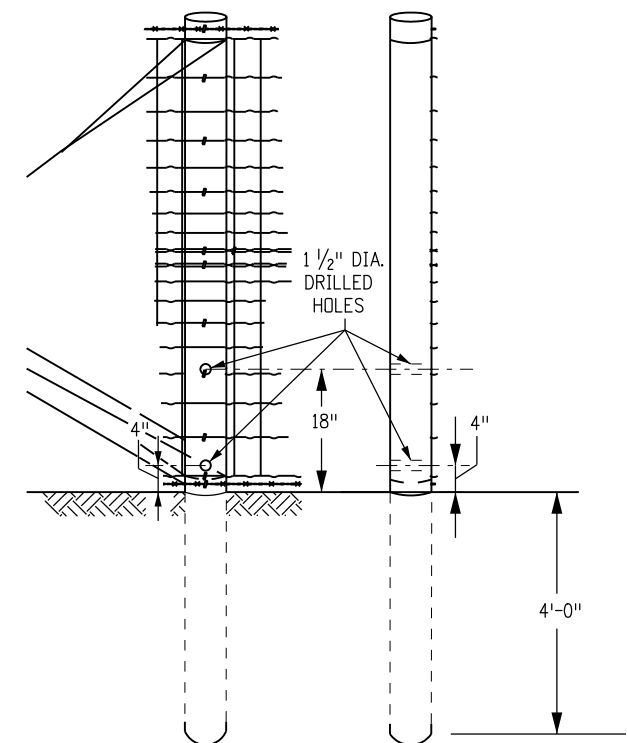
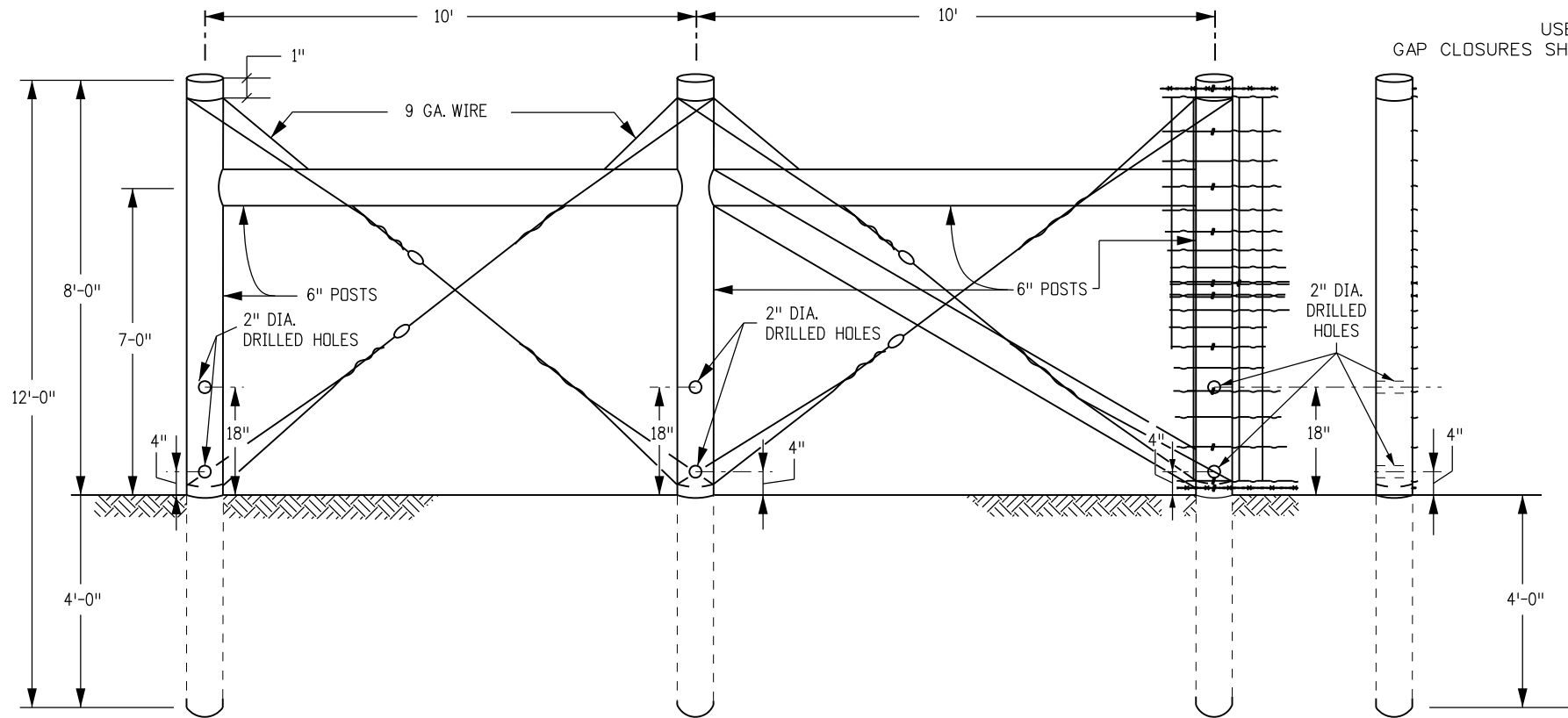
INSTALL 9 GA. WIRE THROUGH EYEBOLTS AND ATTACH FENCE FABRIC TO WIRE AT 1 FT. INTERVALS

WRAP 1/2" WIRE ROPE AROUND LINE POSTS AND SECURE WITH U-BOLT CABLE CLIP

BRACE BAND WITH 2 1/2" LONG CARRIAGE BOLT THROUGH PVC PIPE EVERY 18 INCHES MAX. (SEE CHAIN LINK FENCE STANDARD PLAN FOR HARDWARE DETAILS).

GAP CLOSURE

USE THIS DETAIL TO CLOSE ALL GAPS BETWEEN 6 INCHES AND 3 FEET. GAP CLOSURES SHALL BE INCLUDED IN THE PRICE OF THE FENCE AND NOT BE PAID FOR SEPARATELY.



END POST AND CORNER POST

SIDE VIEW

FRONT VIEW SIDE VIEW

5 IN. LINE POST

MODIFIED FOR PLACEMENT WITHIN ROADWAY CLEAR ZONE

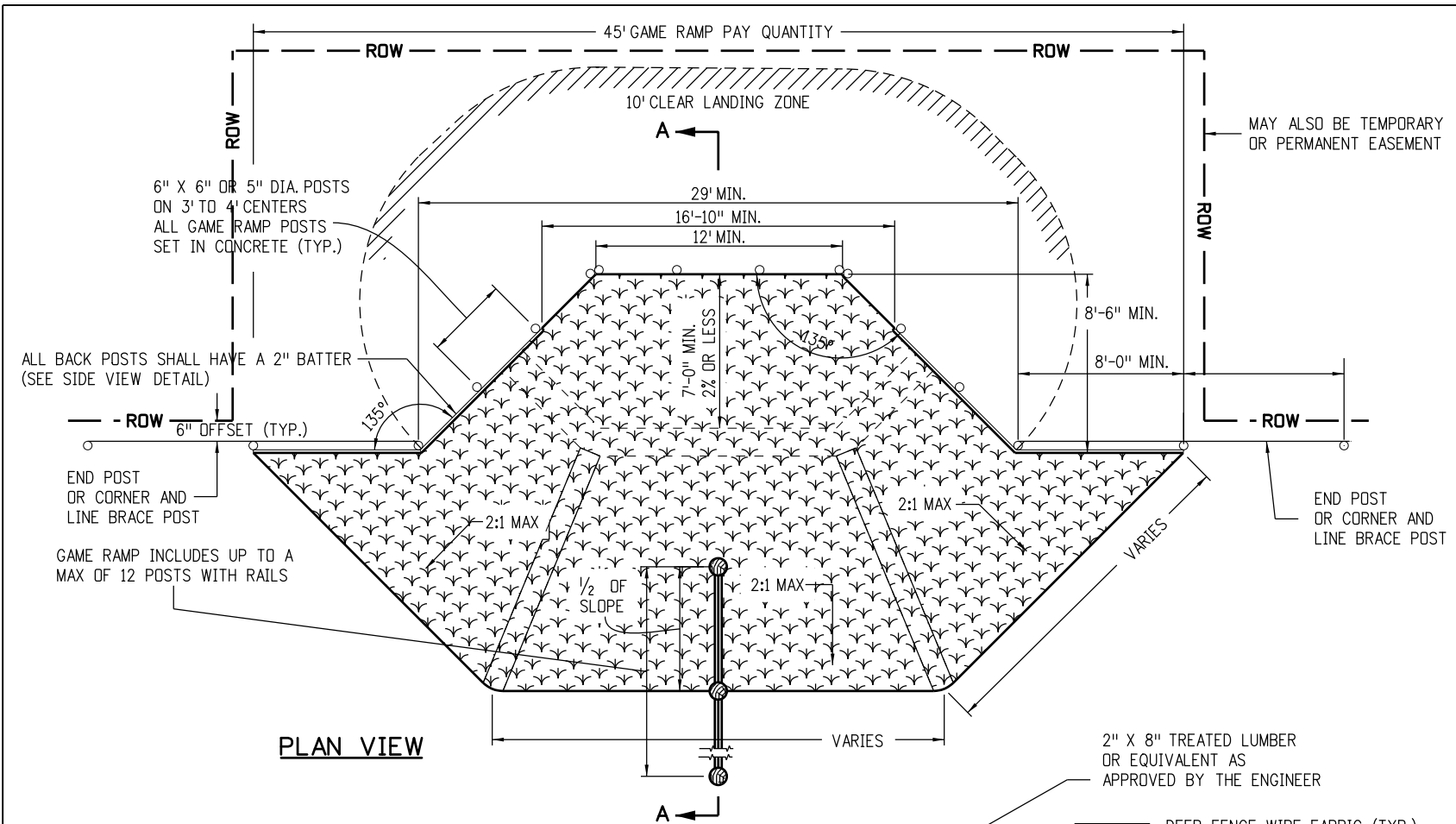
Computer File Information	
Creation Date: 07/04/12	Initials: DLM
Last Modification Date: 04/30/15	Initials: LTA
Full Path: www.coloradodot.info/business/designsupport	
Drawing File Name: 607040305.dgn	
CAD Ver.: MicroStation V8 Scale: Not to Scale Units: English	

Sheet Revisions	
Date:	Comments
04/30/15	Created new M Standard: M-607-4 - Deer Fence, Gates, and Game Ramps
(R-X)	
(R-X)	
(R-X)	
(R-X)	

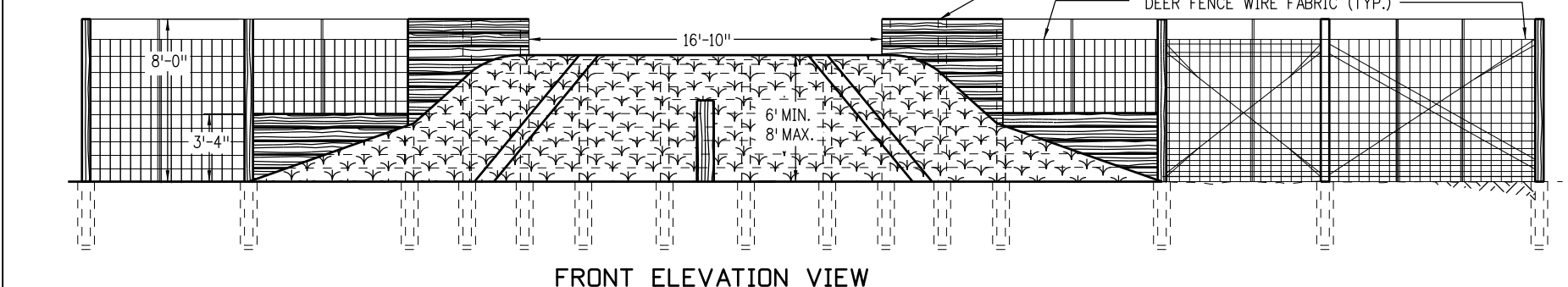
Colorado Department of Transportation
 4201 East Arkansas Avenue
 CDOT HQ, 4th Floor
 Denver, CO 80222
 Phone: 303-757-9021 FAX: 303-757-9868
 Division of Project Support DLM/LTA

DEER FENCE, GATES, AND GAME RAMPS
 Issued By: Project Development Branch March 4, 2015

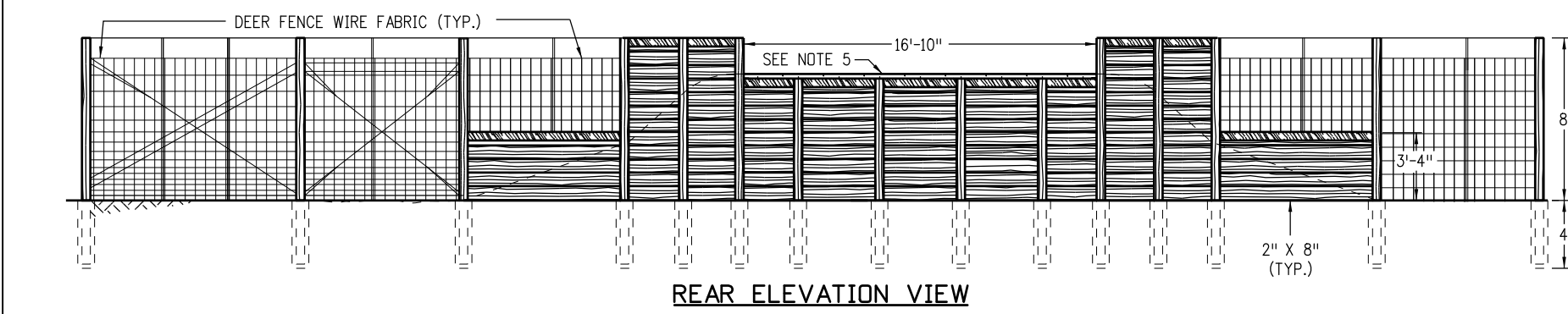
STANDARD PLAN NO.
M-607-4
Sheet No. 3 of 5



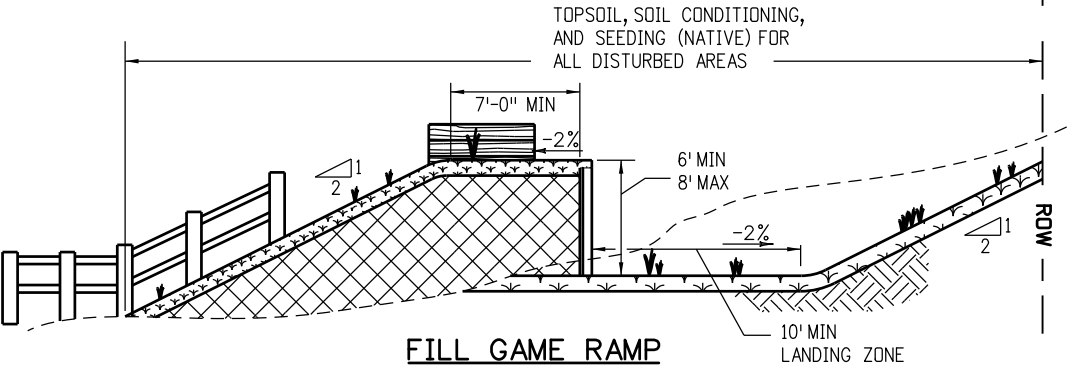
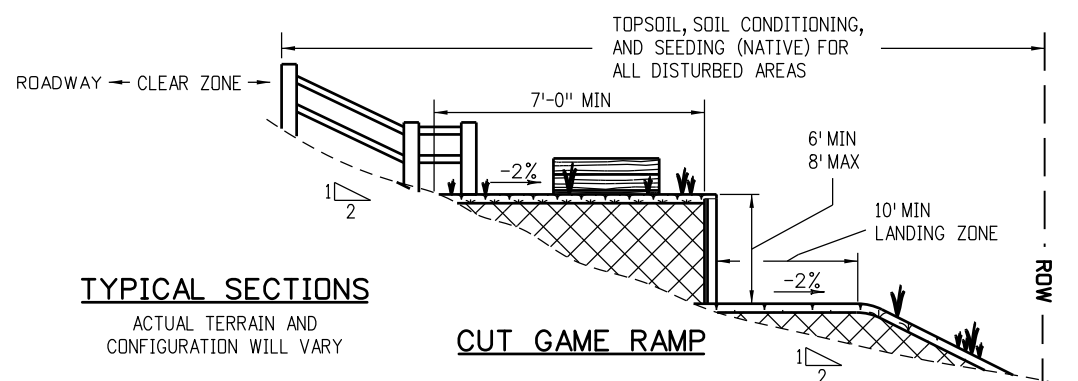
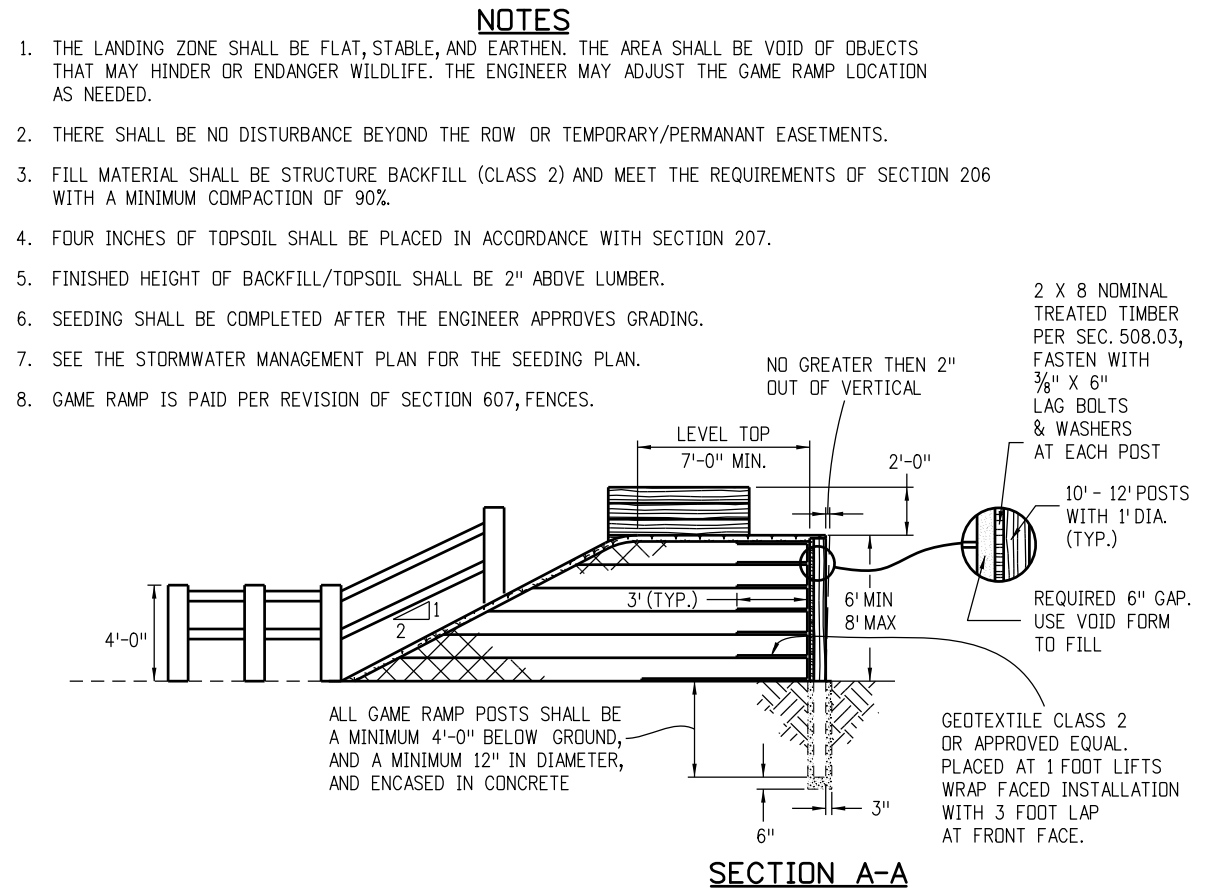
PLAN VIEW



FRONT ELEVATION VIEW



REAR ELEVATION VIEW



Computer File Information	
Creation Date: 07/04/12	Initials: DLM
Last Modification Date: 04/30/15	Initials: LTA
Full Path: www.coloradodot.info/business/designsupport	
Drawing File Name: 607040405.dgn	
CAD Ver.: MicroStation V8	Scale: Not to Scale Units: English

Sheet Revisions	
Date:	Comments
04/30/15	Created new M Standard: M-607-4 - Deer Fence, Gates, and Game Ramps
(R-X)	
(R-X)	
(R-X)	
(R-X)	

Colorado Department of Transportation

4201 East Arkansas Avenue
 CDOT HQ, 4th Floor
 Denver, CO 80222
 Phone: 303-757-9021 FAX: 303-757-9868

Division of Project Support DLM/LTA

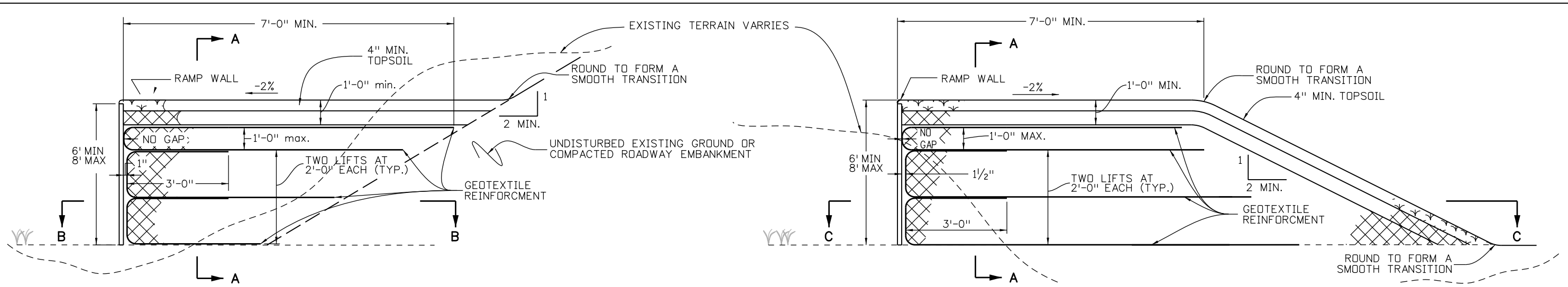
DEER FENCE, GATES, AND GAME RAMPS

Issued By: Project Development Branch March 4, 2015

STANDARD PLAN NO.

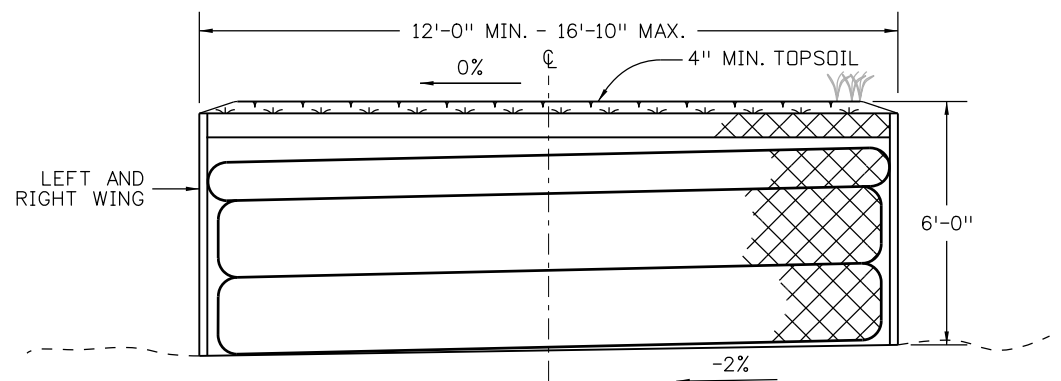
M-607-4

Sheet No. 4 of 5

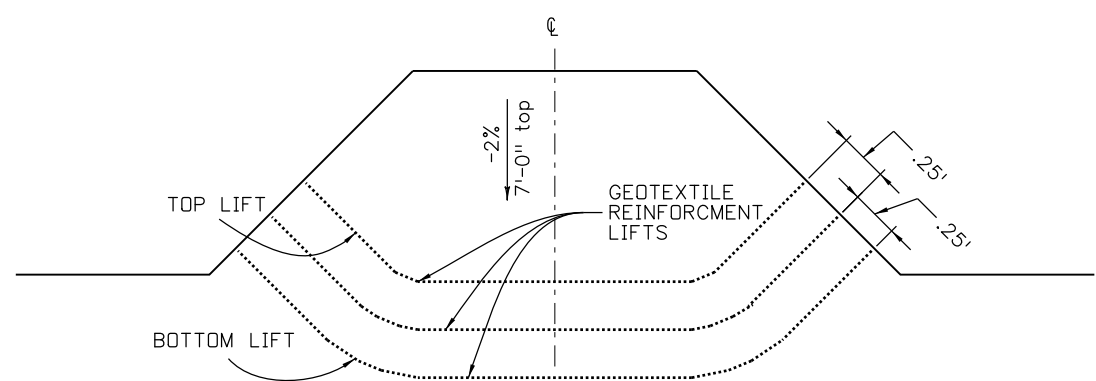


CUT SECTION PERPENDICULAR TO GAME RAMP

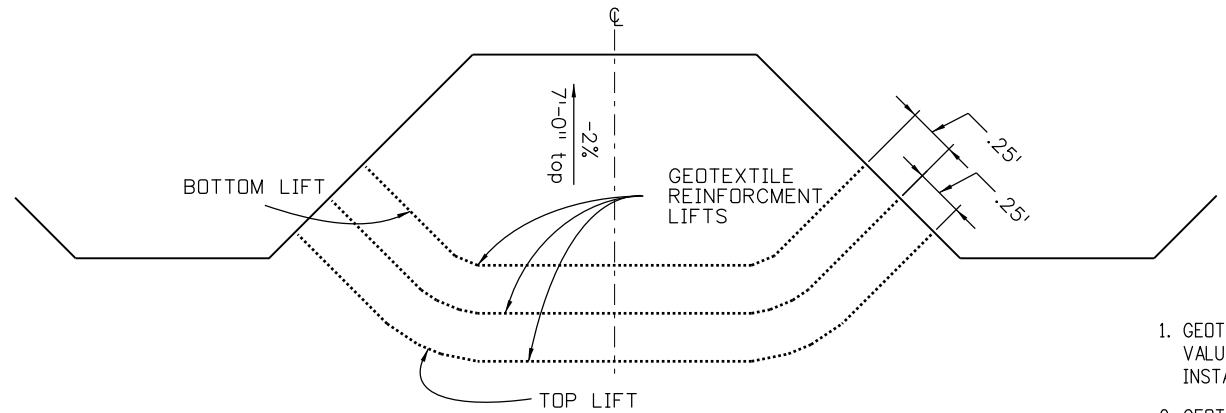
FILL SECTION PERPENDICULAR TO GAME RAMP



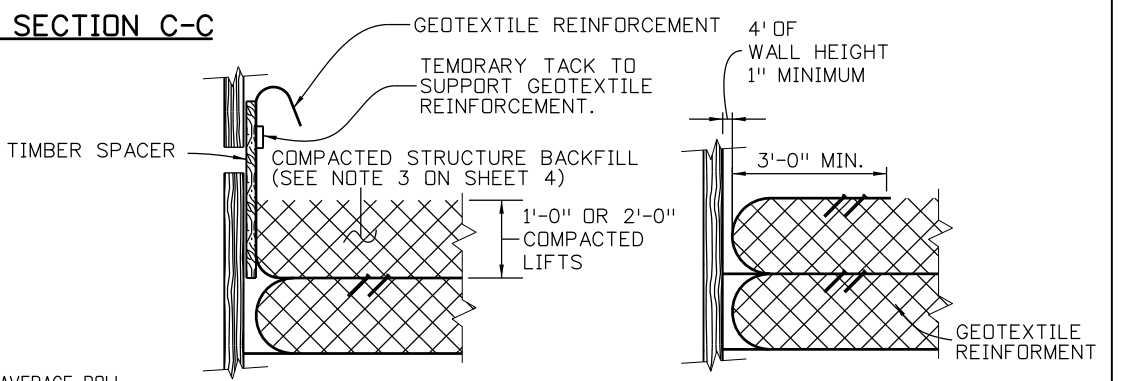
SECTION A-A



FILL SECTION C-C



CUT SECTION B-B



GAP DETAIL STEP 1

GAP DETAIL STEP 2

NOTES

1. GEOTEXTILE REINFORCEMENT SHALL BE WOVEN FABRIC WITH A MINIMUM AVERAGE ROLL VALUE OF 4800 LB/FT FOR INSTALLATIONS WITH A GAP AND 2400 LB/FT FOR INSTALLATIONS WITHOUT A GAP BASED ON ASTM D4595.
2. GEOTEXTILE REINFORCEMENT SHALL BE PLACED BY ALTERNATING MACHINE DIRECTION (MD) WITH CROSS MACHINE DIRECTION (XD) FROM LAYER TO LAYER.
3. THE GEOTEXTILE REINFORCEMENT WRAP AT BACK FACE OF GAME RAMP SHALL BE PULLED BACK SLACK FREE WITH ITS END ANCHORED TO SOIL UNDERNEATH WITH STAPLES OR PINS.
4. MINIMUM SPLICE OF ALL GEOTEXTILE SHALL CONSIST OF 1 FOOT OF OVERLAP.
5. GEOTEXTILE REINFORCEMENT WRAP AT BACK FACE OF GAME RAMP WALL SHALL BE TEMPORARILY HUNG WITH A SPACER BOARD AND TACK STRIP. AFTER REACHING A TOTAL OF 2'-0\"/>
- 6. DO NOT USE SPACER FOR THE TOP LIFT (FINAL LIFT). TOP LIFT SHALL ABUT THE GAME RAMP WALL.

Computer File Information	
Creation Date: 07/04/12	Initials: DLM
Last Modification Date: 04/30/15	Initials: LTA
Full Path: www.coloradodot.info/business/designsupport	
Drawing File Name: 607040505.dgn	
CAD Ver.: MicroStation V8	Scale: Not to Scale Units: English

Sheet Revisions	
Date:	Comments
04/30/15	Created new M Standard: M-607-4 - Deer Fence, Gates, and Game Ramps
(R-X)	
(R-X)	
(R-X)	
(R-X)	

Colorado Department of Transportation
 4201 East Arkansas Avenue
 CDOT HQ, 4th Floor
 Denver, CO 80222
 Phone: 303-757-9021 FAX: 303-757-9868
 Division of Project Support DLM/LTA

DEER FENCE, GATES, AND GAME RAMPS

Issued By: Project Development Branch March 4, 2015

STANDARD PLAN NO.
M-607-4
 Sheet No. 5 of 5